

Cemetery headstone and memorial specifications

There are specifications and requirements for monuments erected in all of Waikato District Council's cemeteries.

It is important to adhere to these specifications as any that do not comply will be removed. Please note this does not apply to those monuments erected prior to 27 August 2012.

For the purposes of these specifications, 'monument' includes any tombstone, headstone, memorial, kerbing, or other erection.

Monuments must meet NZS 4242 Headstone and Cemetery Monuments Standard and Cemetery and Crematorium Bylaw. Please contact the Council to check that your headstone/memorial is compliant.

Monuments

- A monument permit must be obtained from the council prior to installation of either a new or replacement monument.
- No permit will be issued unless the memorial design complies with the Council's standards and NZS 4242 as outlined in these specifications.
- Only a Council-approved monumental stonemason is permitted to install, remove or reinstate a memorial or headstone, with installation to a professional finish in accordance with NZ Standards 4242.

- For a list of Waikato District Council-approved monumental stonemasons or to become a Council approved monumental mason please contact the Council's Cemetery Officer.
- Only one structure is permitted on each plot.
- No-one is permitted to install, remove or reinstate a memorial plaque or headstone without first applying for and obtaining a permit. Permit applications are available on the Council's website.
- Installations that do not meet a satisfactory standard or comply with these specifications, or compromise the Occupational Safety and Health (OSH) regulations will be removed by the council.
- A relative or trustee is responsible for the ongoing maintenance, including repair, of the memorial.

Burial berm and monument measurements

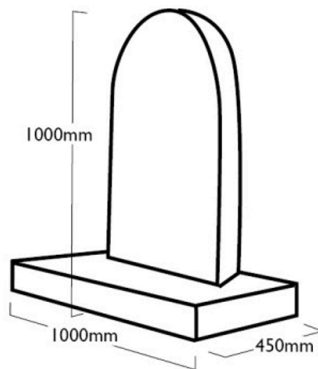
In all cemeteries, the measurements outlined over the page will apply.

Note that if a statue or similar item is attached to the monument or headstone, and the combination exceeds the allowed dimensions, the monument will be considered non-compliant and the family will be asked to remove it.

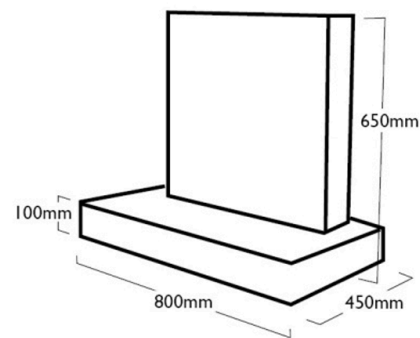
Headstones

Adult and stillborn headstones:

- Maximum Height 1200mm
- Maximum Width 1000mm
- Maximum Depth 450mm



Adult graves



Stillborn and infants

Waerenga and Gordonton Ashes Berms (plaques only)

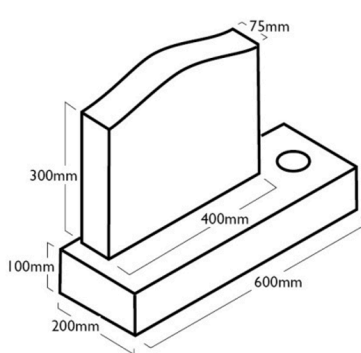
- Waerenga – 250mm x 200mm
- Gordonton 150mm x 230mm

Taupiri Memorial Wall (plaques only)

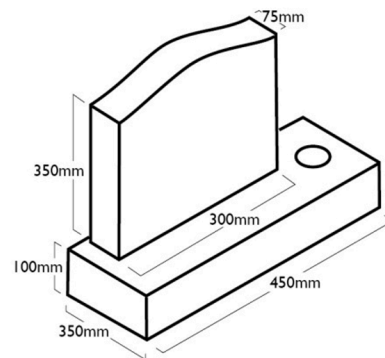
- 150mm x 230mm

Gordonton Memorial Wall (plaques only)

- 150mm x 200mm



Octagonal berms and standard



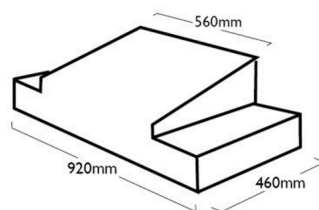
Whatawhata ashes berm

These specifications apply to all Waikato District Council cemeteries.

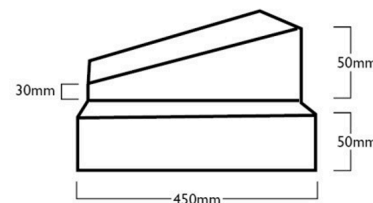
Muslim Cemetery

No headstone permits will be approved for the Muslim section of the Waikato Muslim Association Cemetery at Jackson Street, Ngaaruawaahia.

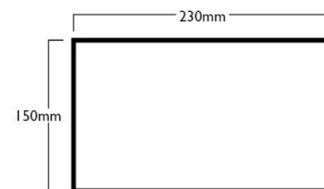
A small flat plaque marking the grave site of the deceased will be permitted. This is to comply with the teachings and practices of Islam and to enable the greening of the burial process and site for future generations.



Raised plaque



Northern Waikato ashes berm



Memorial walls (plaques only)

Contact Us

0800 492 452

info@waidc.govt.nz

waikatodistrict.govt.nz